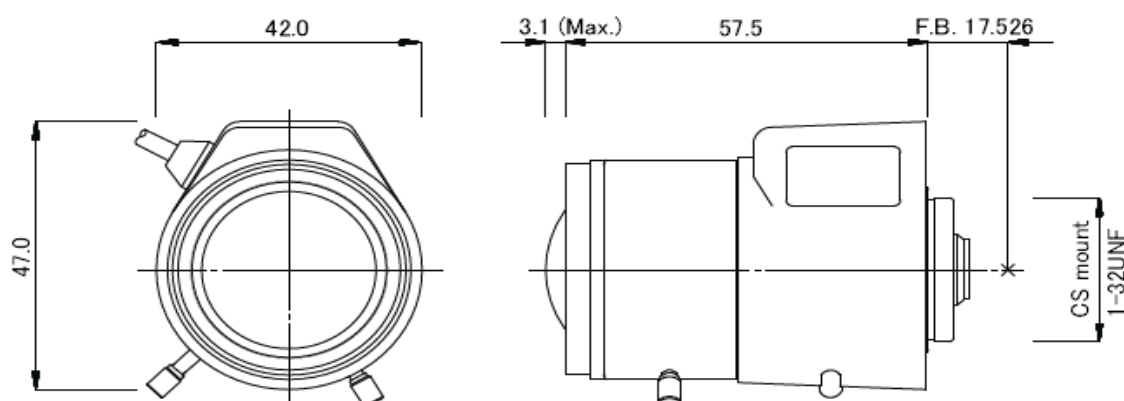


Kawaden CCTV LENS

KV2515DIR

**A unique and very useful
2.5-15mm IR corrected lens**

**Aspherical IR corrected Vari Focal Lens
2.5 -15mm F1.4 -360
DC Auto Iris**



Specifications

Model No.	KV2515DIR		Flange Back Length	17.526mm	
Focal Length	2.5 - 15mm		M.O.D.	0.3m	
Max. Aperture Ratio	1:1.4 - 360		Dimensions	42(W) x 47.0(H) x 57.5(L) mm	
Image Format	1/3 inch		Weight	71g	
Mount	CS mount		Operating	Open	Less than 4.0V
Operation	Iris	DC Auto (F1.4-360)	Voltage	Close	More than 0.5V
	Focus	Manual	Operating Temperature	-10C - +50C	
	Zoom	Manual	Wave Length Covered	400nm - 900nm	
Angle of View (1/3")	D	128.7° - 23.8°			
	H	104.3° - 19.0°			
	V	78.8° - 14.3°			

Specifications are subject to change without notice

Kawaden Co., Ltd.